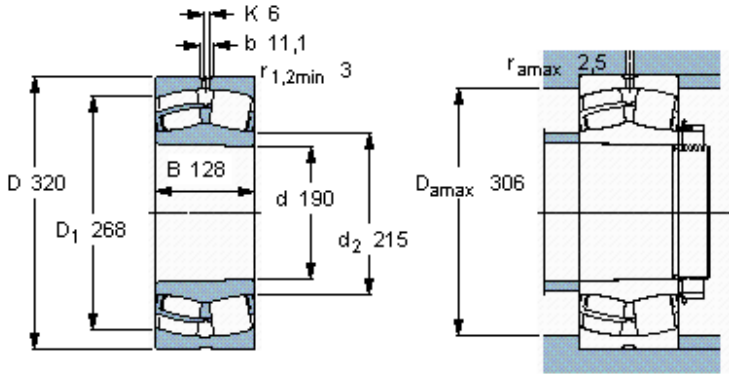


Spherical roller bearings, cylindrical and tapered bore

Principal dimensions			Basic load ratings		Speed ratings		Designation
d	D	B	dynamic C	static C0	Reference speed	Limiting speed	
mm			kN		r/min		
190	320	128	1652	2500	1100	1500	* SKF Explorer bearing 24138 CCK30/W33 *



Tapered bore, taper
1: 30

Calculation factors

- e 0,4
- Y_1 1,7
- Y_2 2,5
- Y_0 1,6